



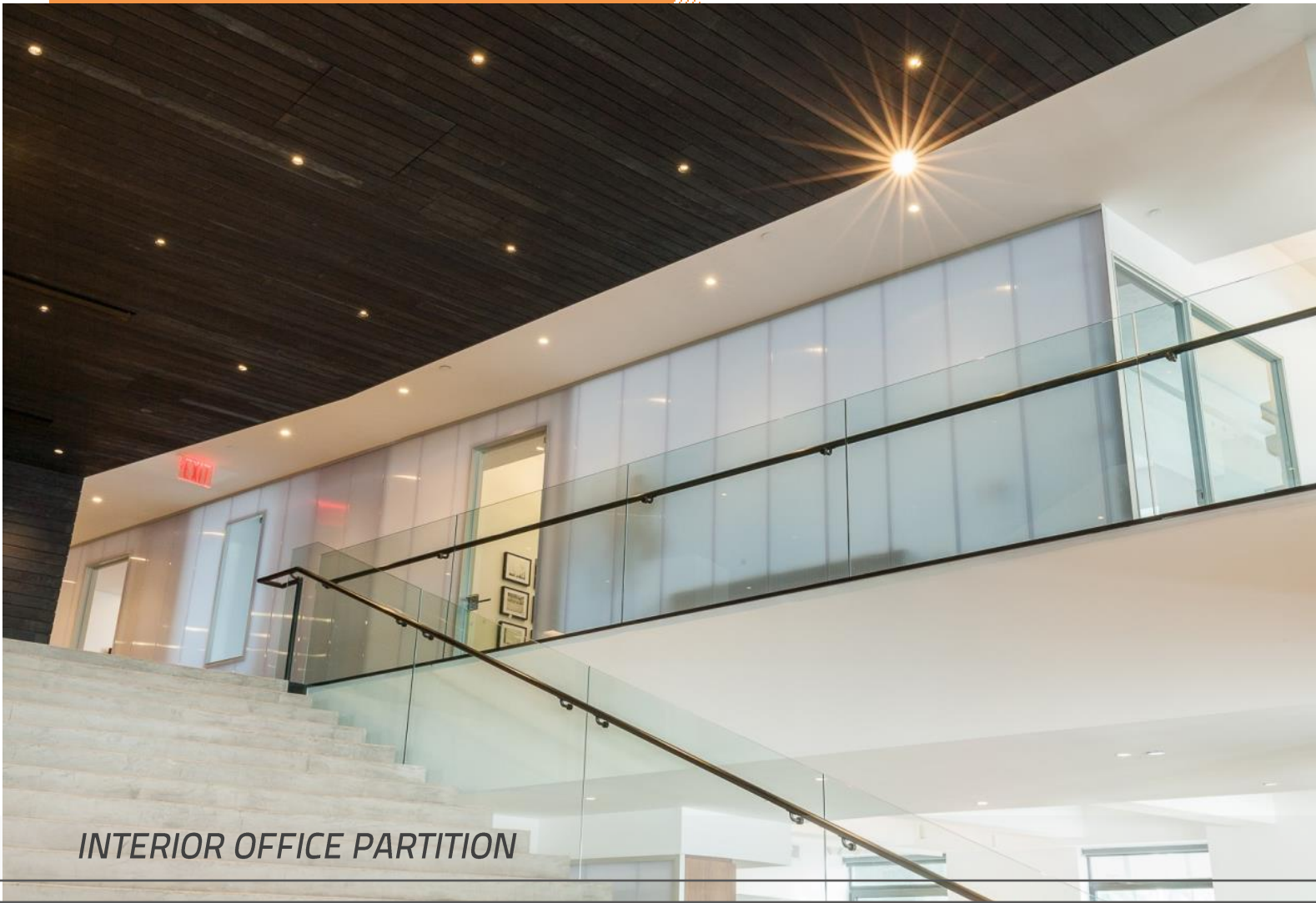
**DUO-GARD**

**FORGE AHEAD.™**

ILLUMAWALL 1500 *INTERIOR WALLS*



# ILLUMAWALL 1500



## INTERIOR OFFICE PARTITION

### DESCRIPTION:

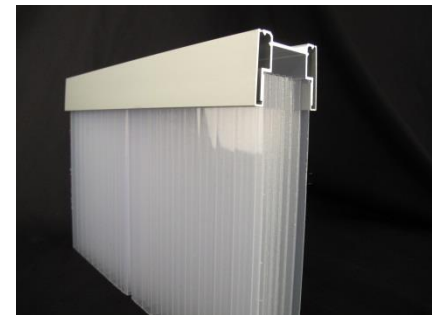
illumaWall 1500 wall system is ideal for continuous vertical applications. Panels provide a clean aesthetic appearance which also allows daylight to flow deeper into spaces. Our walls are to 39' high and unlimited lengths. illumaWall 1500 is available in 40mm thickness.

### FRAME SYSTEM :

Duo-Gard's aluminum framing channels are available in clear anodized or painted finishes.

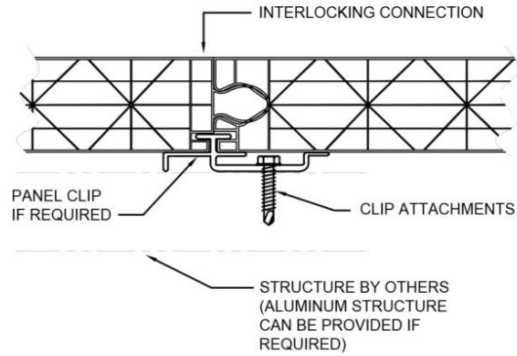
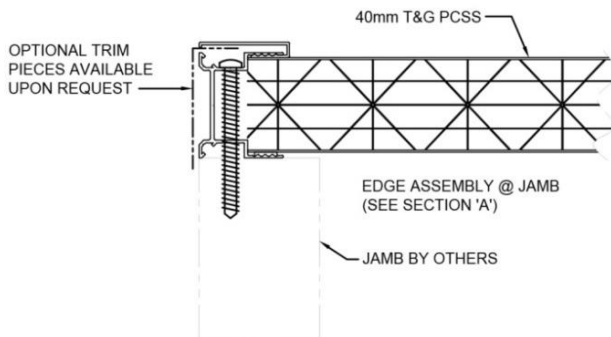
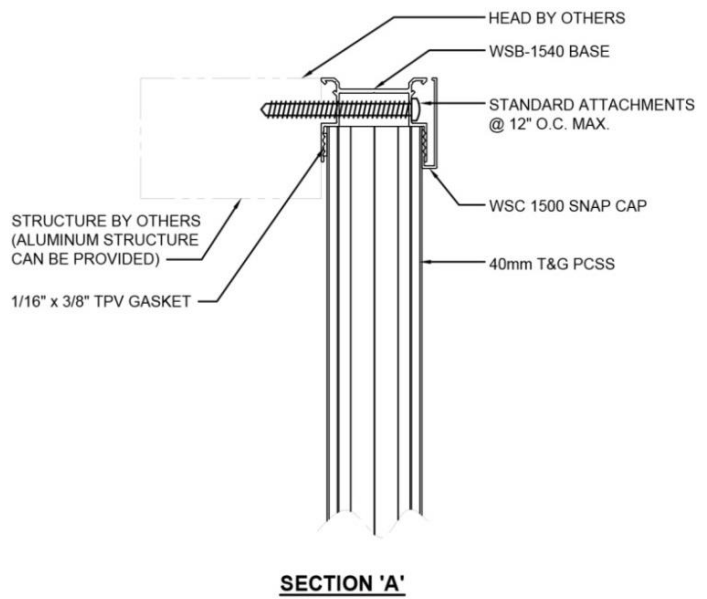
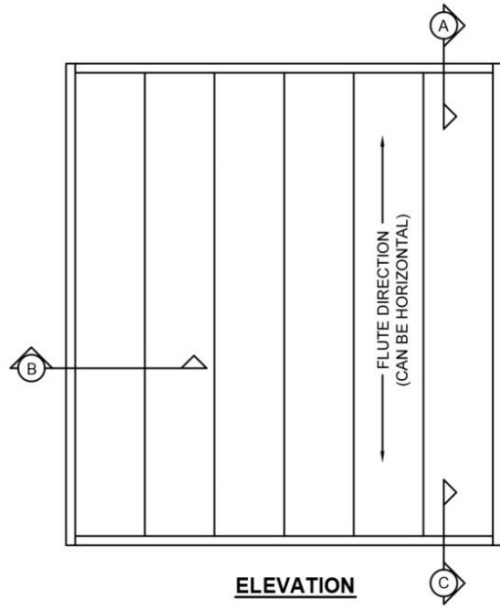
### FEATURES & BENEFITS:

- Moveable walls & partitions
- No mullions
- Ideal for backlighting
- Vertical & horizontal orientation
- Diffused light transmission
- Class A fire rating
- Recycled content & recyclable
- Block sound transmission
- Panels up to 39' long
- Tongue & groove continuous glazing
- Cold form curves



- Panel thickness—40mm
- Standard size 19.68" wide
- Standard colors—clear, opal & royal blue
- Also available in orange, purple, red, yellow, grey, charcoal, olive green & sea blue (minimum quantities may apply)

# illuminaWall 1500 Interior 40MM Tongue & Groove (Face Mounted)



**STANDARD ATTACHMENTS:**

WOOD:  
#12 x 2 1/2" SHEET METAL HEAD SCREW

ALUMINUM & STEEL:  
#12 x 2 1/2" SHEET METAL HEAD SCREW  
(PRE-DRILLING MAY BE REQUIRED)

ALTERNATE FASTENERS MAY BE USED:  
HEAD DIA. MUST NOT EXCEED 7/16"

**CLIP ATTACHMENTS:**

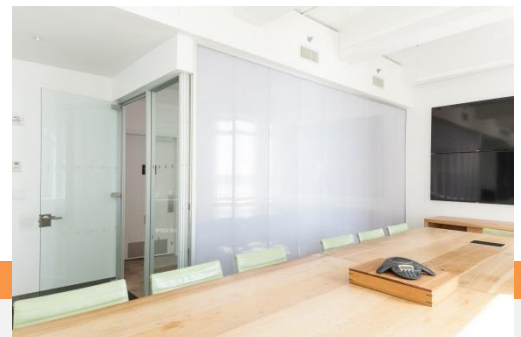
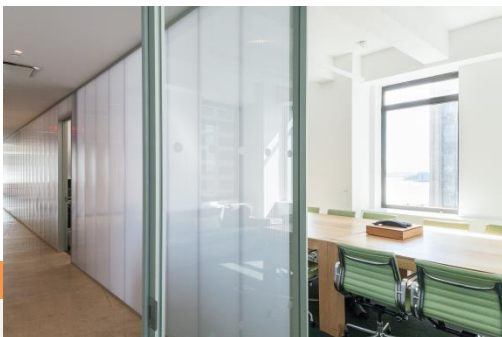
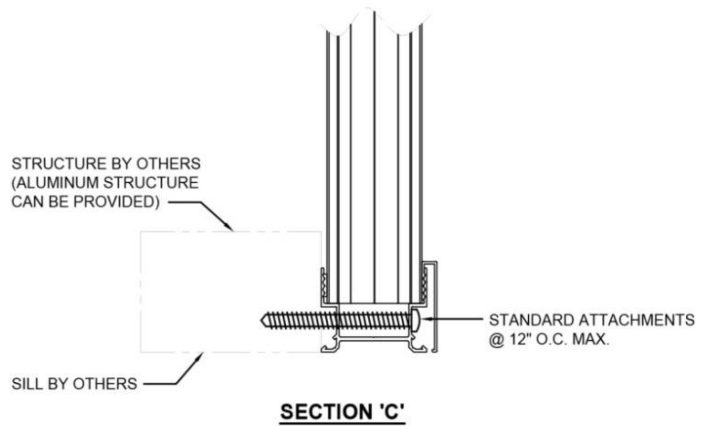
ALUMINUM:  
#12 x 1" HEX HEAD TEK SCREW W/ #3 TIP

STEEL:  
#12 x 2" HEX HEAD TEK SCREW W/ #5 TIP

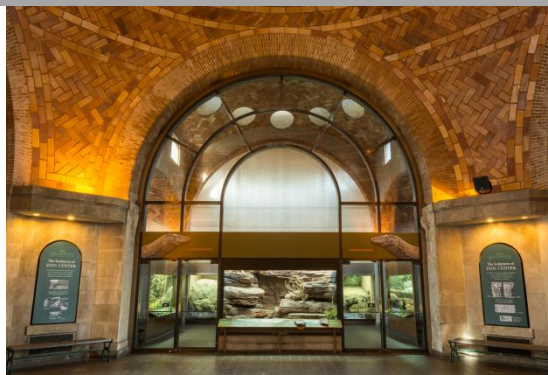
WOOD:  
1/4" x 2" LAG SCREW

**NOTE:**  
GLAZING PANELS CAN BE RUN HORIZONTALLY

**SECTION 'B'**

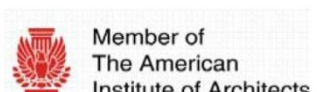


# GALLERY



## Forge Ahead!

Contact us at 734.207.9700. We'll consider your project parameters and make recommendations based on our years of experience. Let's make your vision a reality!



Duo-Gard Industries Inc. | 40442 Koppnick Rd. Canton MI 48187-4279  
T. 734-207-9700 | F. 734-207-7995 | www.duo-gard.com